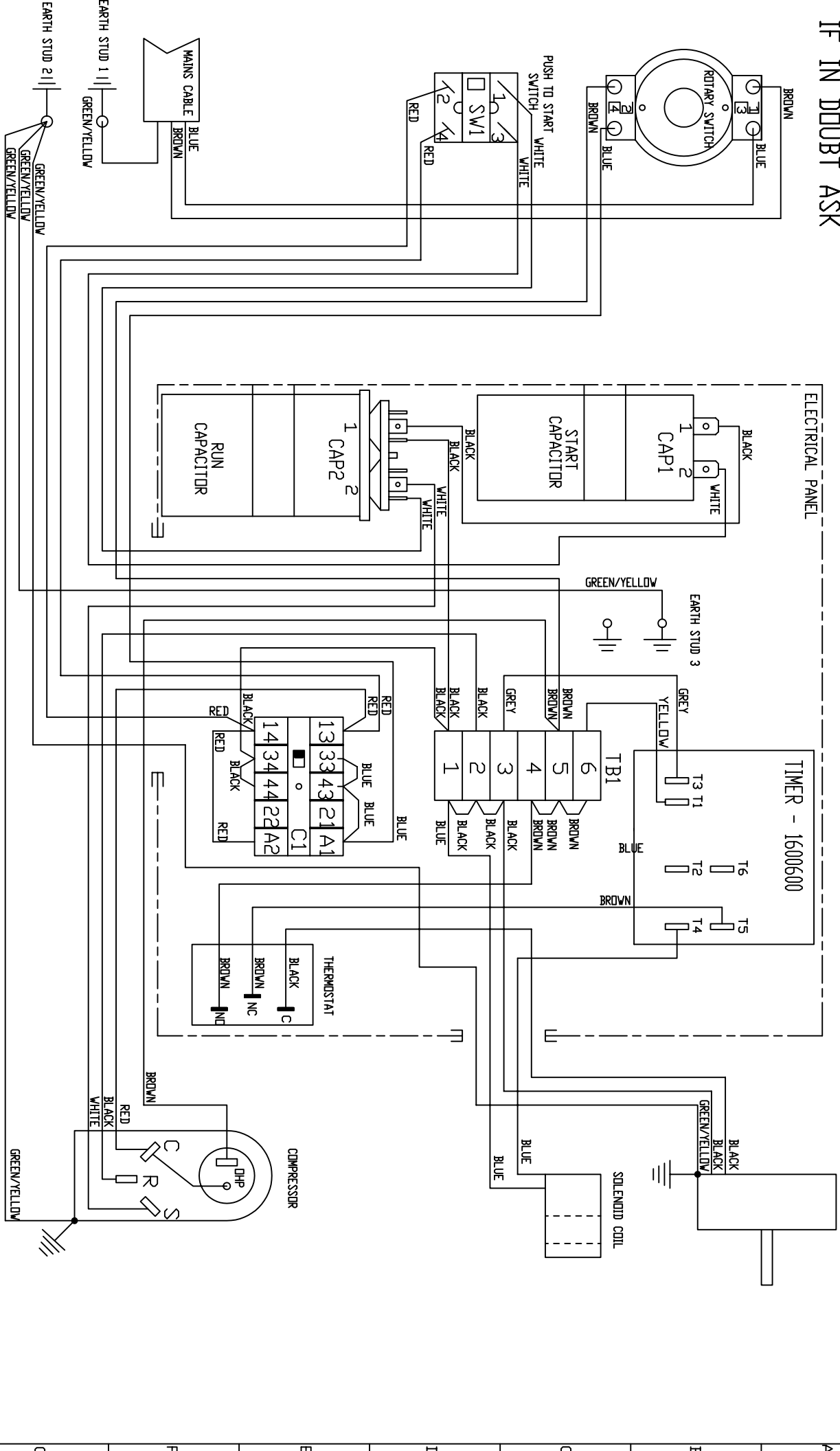


IF IN DOUBT ASK

3RD ANGLE PROJECTION



DRG NO. 5010257		INSPECTION PROCEDURE		ISS. 1 2 3		DATE 05.02.93 8.9.93 22/09/06		C/N 6162 PA W/DA		FINISH		TOLERANCE UNLESS STATED		TITLE		DRAWN S.R. LILLY		CHECKED		APPROVED		SCALE 1/1	
												DIMENSIONS IN mm.		WIRING DIAGRAM		SECURITY CLASSIFICATION						5010257	
														SINGLE VOLTAGE/FRENCH - BD12									

Ebac Limited