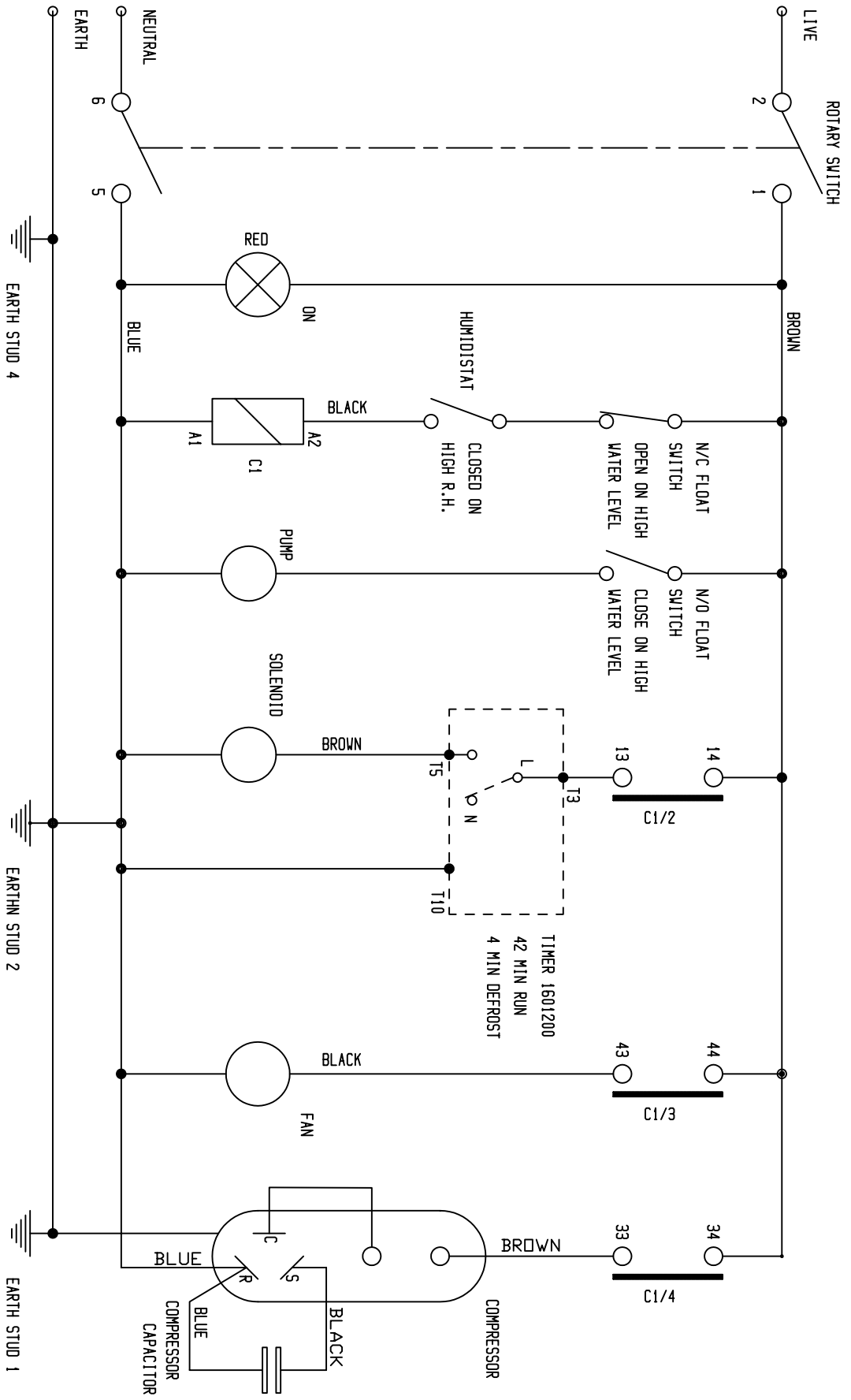
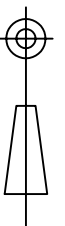
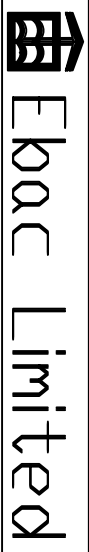


3RD ANGLE PROJECTION



DRAWN G.E.L.SBURY	ISS.	1	2	FINISH		TITLE WIRING DIAGRAM FOR CD100 WITH PUMP	SECURITY CLASSIFICATION	
	CHECKED	DATE	1.12.90	pe0591	TOLERANCE UNLESS STATED			
	APPROVED	C/N		1959	DIMENSIONS IN m.m.			
SCALE NTS	MATERIAL		FINISH		INSPECTION PROCEDURE			
DRG. NO.		5020141		5020141		5020141		



DRG. NO.

5020141