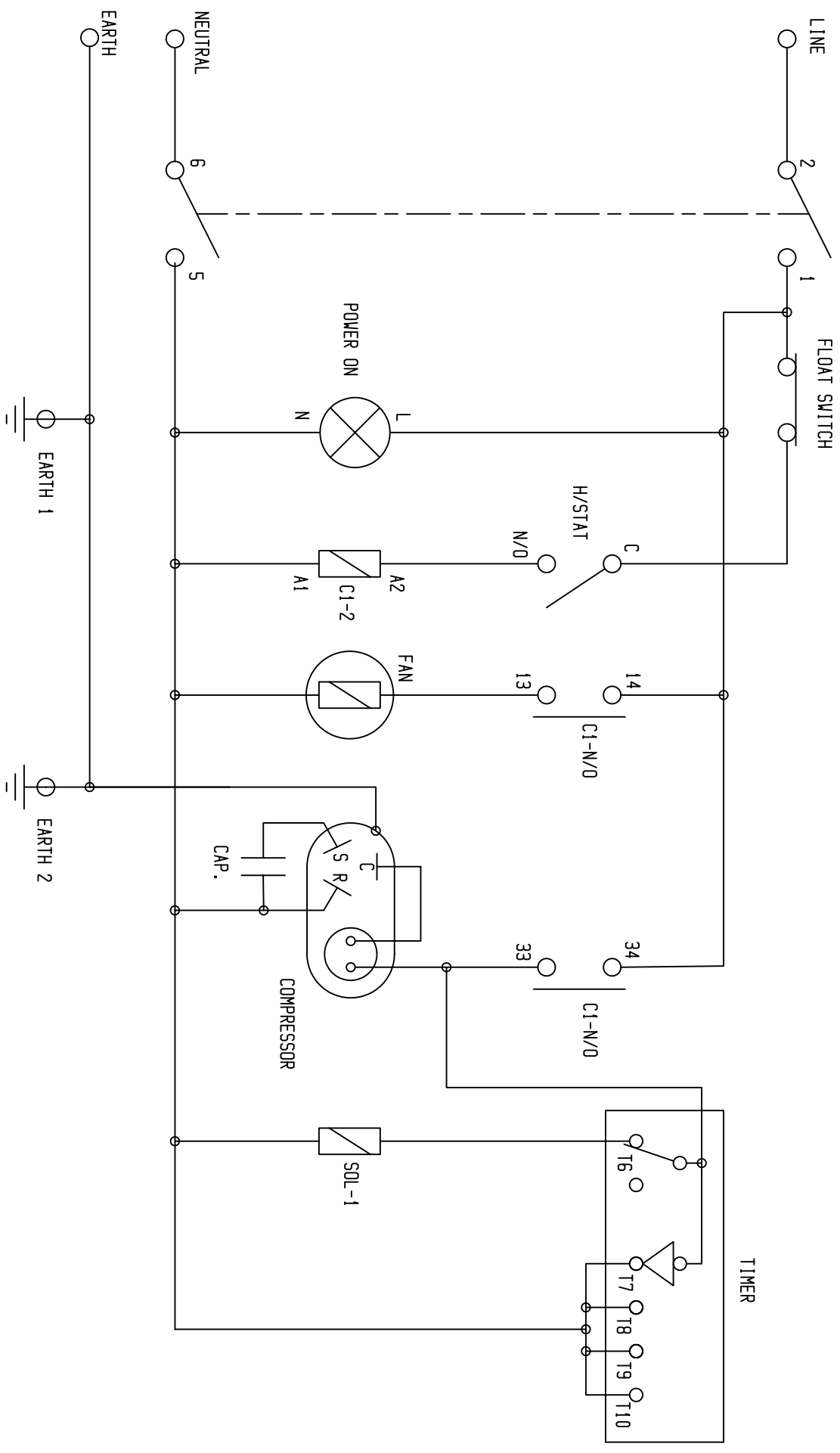
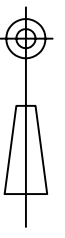
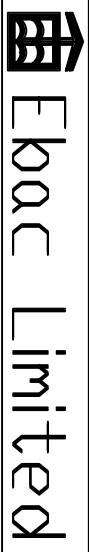


1 2 3 4 5 6 7

3RD ANGLE PROJECTION



DRAWN: E. S. BURY		ISS. 5 6		SECURITY CLASSIFICATION	
CHECKED		DATE	06:06:90 02:05:91		
APPROVED		C/N	1977		
SCALE					
INSPECTION PROCEDURE	MATERIAL	FINISH	TOLERANCE UNLESS STATED		TITLE
			DIMENSIONS IN m.m.		WIRING SCHEMATIC FOR
					CD100
					DRG. NO. 5020123



SECURITY CLASSIFICATION

DRG. NO.

5020123