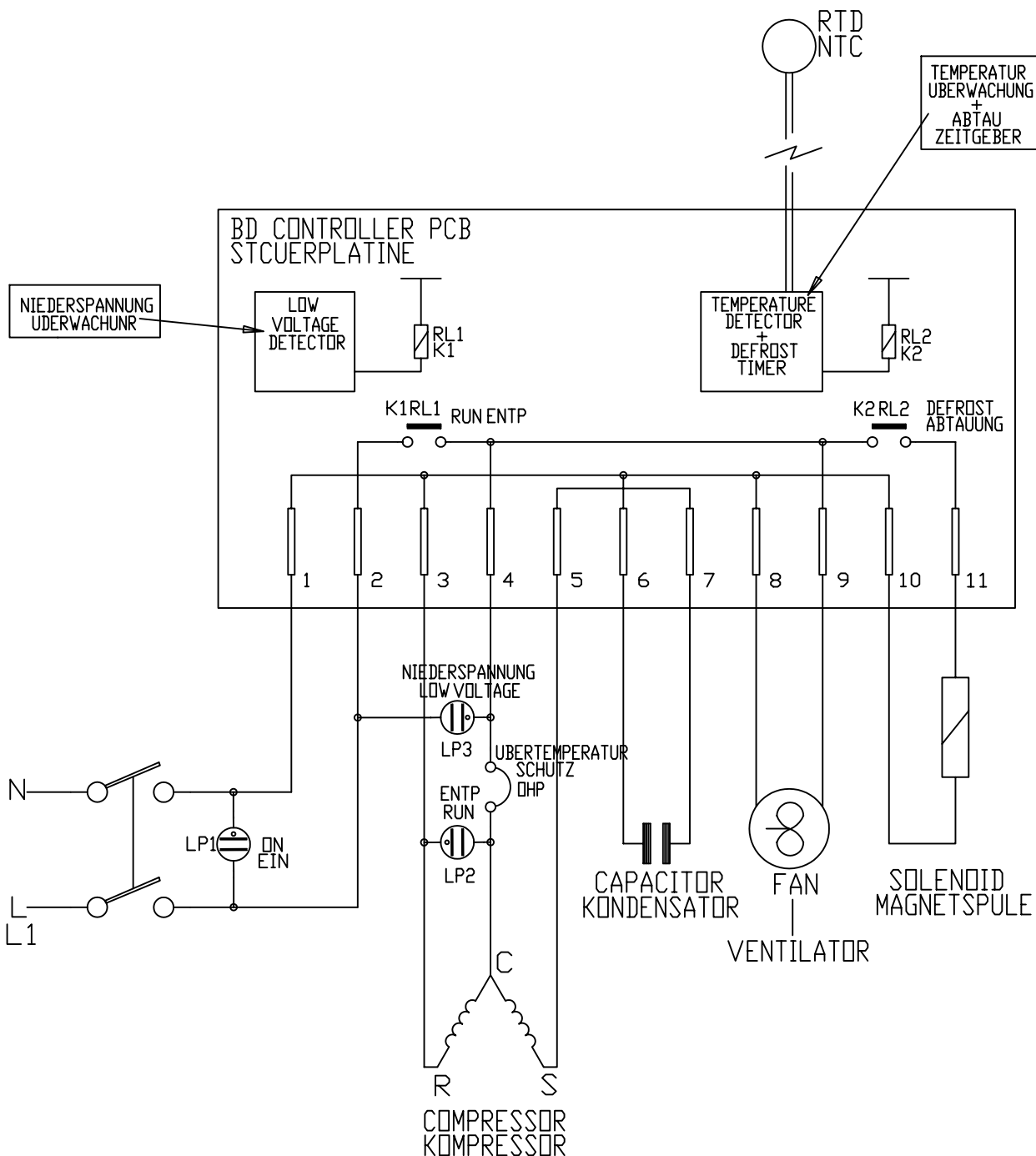


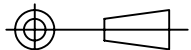
| ISSUE | DATE | AMENDMENTS |
|-------|----------|------------------------|
| 3 | 23:06:94 | 7637 GERMAN TEXT ADDED |



LIMITED
BISHOP AUCKLAND
ENGLAND

TITLE SCHEMATIC DIAGRAM

3RD ANGLE PROJECTION



DO NOT SCALE
IF IN DOUBT ASK

DIMENSIONS IN m.m.
TOLERANCES UNLESS
OTHERWISE STATED

0. ± 1
0.0 ± 0.25
0.00 ± 0.05
ANGULAR ± 0.5 DEGREE

MATERIAL -----

FINISH -----

DRAWN : MICHAEL DUNN

CAD SCALE : -----

DRG.NO.

5020217

SHEET
1 OF 1